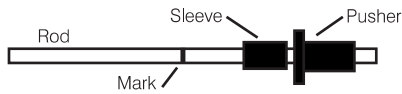
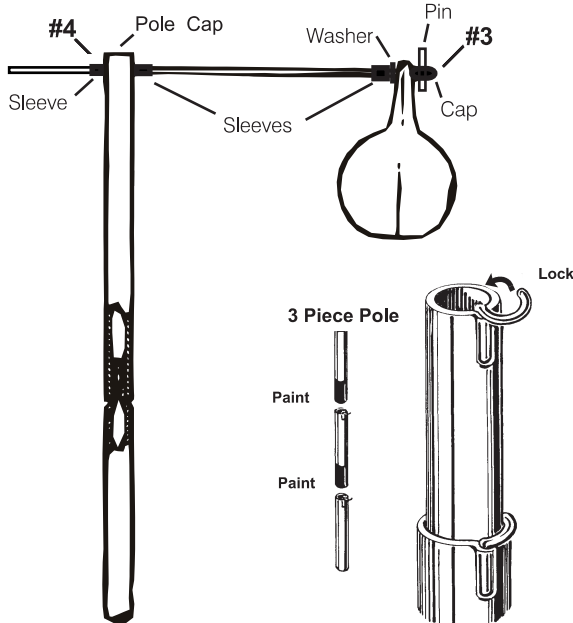


# 15' Telescoping Steel Pole Assembly - Gourds

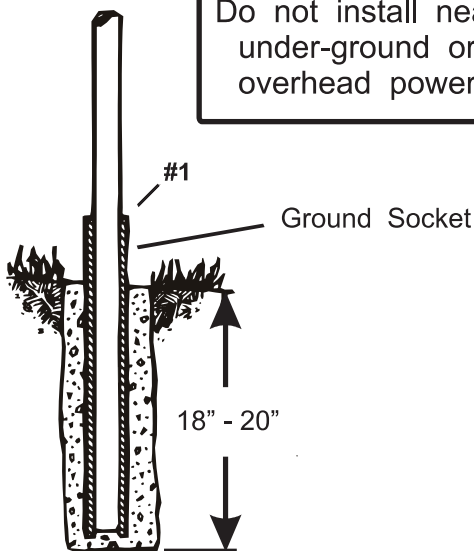
## Assembly Instructions



NOTE: Use pusher to push sleeve to marks on rods. Put sleeve on rod then push.



**CAUTION:**  
Do not install near  
under-ground or  
overhead power



**STEP #1:** Dig a hole 18"-20" deep and approximately 6" in diameter. Pre-moisten a sack of ready-mix concrete. Hold the PVC ground socket in the center of the hole and pour concrete mix around the outside of the socket filling hole. Let ground socket extend 2"-4" above ground for flexibility in wind. Make sure socket is standing straight with a level or by putting the largest pole in sleeve hole and eyeballing from all sides. Note: If a container to pre-moisten the concrete is not available; pour a couple of inches of concrete in hole, place socket in center of hole, add a few inches of water in hole, then some dry concrete mix, then water and more concrete as needed to fill hole. Make sure socket is straight, as above. Let concrete set-up overnight.

**STEP #2:** Place largest section of pole on ground, insert next pole into larger pole, then insert the top pole.

**STEP #3:** Note: one (1) rod is started for an example. Begin by sliding sleeves to match example rod on remaining rods. (Use plastic pusher to slide sleeves into place). Slide nylon washer on rod (end with sleeve near end). Slide same end of rod through 1/4" hole at top of assembled 2-piece gourd from back side. Apply safety cap on end of rod, then apply hitch pin on cap to hold in place (hitch pin should be located in middle of cap to insure cap remains secure). Complete this task for all remaining rods. Note: nylon washers, hitch pins, and caps are in plastic bags and are shipped inside the poles. To dislodge accessory parts bags, just drop bundled rods through poles.

**STEP #4:** Insert other end of rod through top hole of top pole. Apply sleeve to 2nd mark from end (or until flush with pole to secure rod firmly). Then slide another sleeve to the 1st mark. Repeat rest of Steps #3 and #4 for remaining rods until all are completed. Insert rods in next closest hole in pole to form a spiral effect. Keep top pole upright while mounting gourds. Gourds will be mounted on both ends of each rod.

**STEP #5:** After all rods and gourds have been mounted, raise top pole up until paint is seen then lower back down a couple of inches. Place pole lock in slot with straight end down and lock as seen in diagram. Raise middle pole until paint is seen then lower a couple of inches. (**Warning:** For safety reasons two people should raise and lower pole. One to hold pole while other locks or unlocks in place).

**NOTE:** If pole is to be lowered during nesting season, remember to keep gourds pointed in original direction. Marking the poles and the ground socket where they meet will be helpful.

### Additional Mounting Suggestions

Poles do not have to be mounted in concrete. Poles may be attached to a post or to a fence. Approximately 12" of pole should be placed in the ground.

Visit our website  
[www.purplemartingourds.com](http://www.purplemartingourds.com)

**Made In USA**